

PUREVISION 



Charlton & Jenrick^{LTD}

Best of British fires, fireplaces & stoves

Introducing PUREVISION

The Purevision™ HD range comprises six models, three freestanding and three inset, with stand and log store options available for the freestanding versions and three- or four-sided trims for the insets. The models are sized as 5kW standard, 5kW wide and 8.5kW nominal output. They contain technologically advanced patented design features that result in superb clean-burning performance and thermal efficiency of up to 82.2%.

Emissions meet EU leading DIN+ levels and already achieve current emission and efficiency proposals for 2022 European Eco-Design standards, which are far tougher than current mandatory norms. DEFRA exemption for wood-burning in a smokeless zone was a formality, with test results up to 97% below permitted levels of visible smoke.

Design parameters have been reset to produce a huge glass panel for fire viewing, framed by a substantial yet elegantly curved cast iron door, the aesthetics of which blend seamlessly with traditional or modern rooms and fireplaces. The glass panel is kept clean by the extremely powerful airwash system.

Purevision™ HD is the result of Fireline's ongoing endeavours to improve the state of the art in wood-burning combustion chamber design. High Definition (HD) means an improved visual resolution over the previous standard and Purevision™ achieves this by harnessing the airwash and specialised tertiary air-profiling within the burn chamber for sharply defined flames and complete combustion.

**EXPERIENCE REAL LIVING FLAMES IN
HIGH DEFINITION WITH PUREVISION HD.**



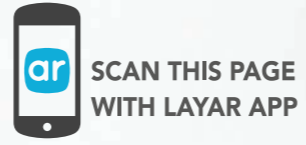
Purevision **12 YEAR WARRANTY**

All Purevision HD stoves come with an extended 12 year parts warranty as standard, subject to terms and conditions. Please visit the website www.charltonandjenrick.co.uk for more details.

Contents

6	PV5 multi-fuel stove	16	PV85i multi-fuel stove
8	PV5i multi-fuel stove	20	Dimensions & Specifications
10	PV5W multi-fuel stove	24	Technical Performance Details
12	PV5iW multi-fuel stove	30	Packages
14	PV85 multi-fuel stove		





PV5 Freestanding stove shown on tall stand in inglenook with a non-combustible beam



PureVision™

Stylishly elegant 5kW stove with a large glass window for optimal viewing of the high definition flames.

- Powerful airwash that aids the clean burning of the stove to produce the High Definition (HD) flame picture.
- Optional external air kit for direct connection to the outside, potentially eliminating the need for fixed exterior ventilators in houses built after 2008.
- High-quality cast ceramic firebox liners that are self-cleaning, hardwearing and extremely attractive.
- DEFRA exemption for burning wood logs in smokeless zones.
- Full multi-fuel capability as standard.
- Optional stands or log stores.
- Full-sized cast iron door.

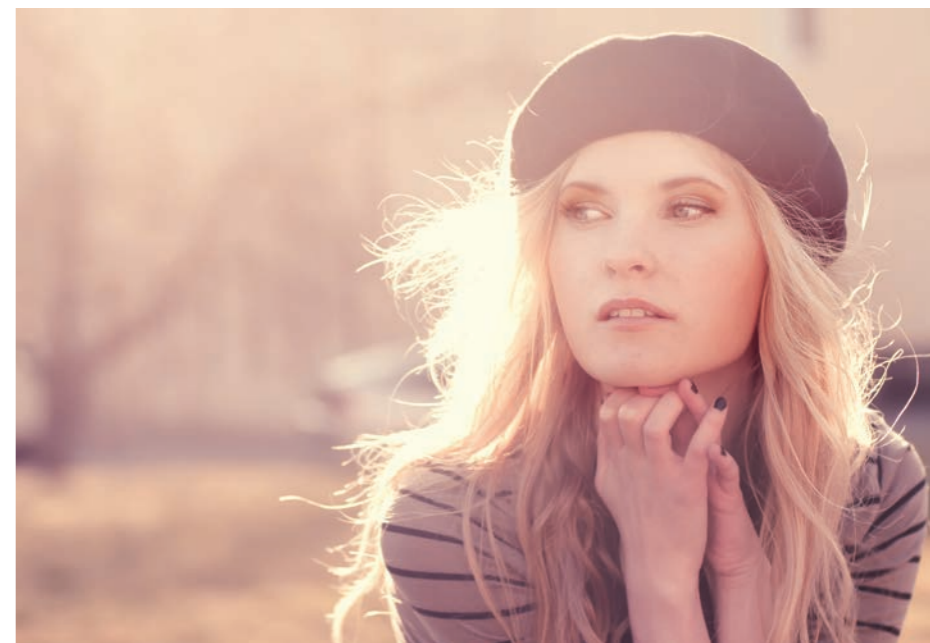


PV5 Freestanding stove shown in Wave limestone suite

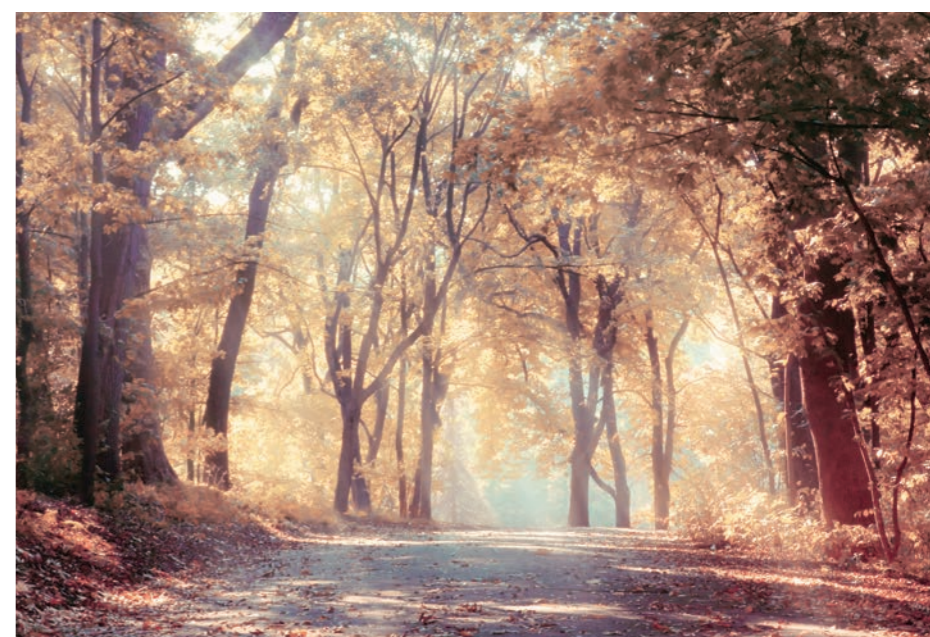
PureVision™ PV5i multi-fuel stove

Following on from the standard PV5 freestanding stove, this inset model shares identical visual and performance features. This means you get the same window size, performance and features as you would with the freestanding model.

- Clean aesthetic design that enables the stove to blend seamlessly with traditional or modern room and fireplace designs.
- Unique air control system that provides automatic air distribution from a simple single-lever burning control.
- Powerful airwash that assists the clean burning of the stove in producing the High Definition (HD) flame picture.
- DEFRA exemption for burning wood logs in smokeless zones.
- Full multi-fuel capacity as standard.
- Identical door design to the freestanding version.



PV5i Inset stove
in Stokesay Suite



PV5i Inset stove
shown set into wall

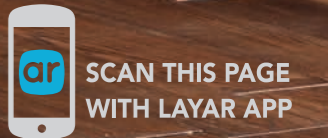


PV5W Freestanding stove shown on Short Stand in Rembrandt Suite

PureVision™ PV5W multi-fuel stove

A stunning panoramic 5kW wide stove that shares all the features of the PV5 with the additional benefits of accepting longer logs and greater fuel volumes.

- Modern hard-wearing graphite grey paintwork.
- Patented tertiary air-profiling system, which delivers the clean combustion and high efficiency required to meet or exceed the proposed 2022 European Eco-Design Directive.
- Stainless steel bar handle, which is cooler to the touch and easy to use.
- Heavy-duty stainless steel operating tool and stand for ease of use and attractive appearance.
- Top and rear flue connection provides more flexibility when installing the stove.
- Optional stands or log stores available.





PV5iW Inset stove shown in Aylesbury limestone suite



PV5iW Inset stove shown in Wave limestone suite

PureVision™ PV5iW multi-fuel stove

This stove is a larger version of the PV5i. It offers all the same attributes but gives a larger viewing window and fuel capacity, making it ideal for the larger living space.

- Super high quality cast ceramic firebox liners offer superior appearance and durability with self-cleaning characteristics.
- Optimal top flue connection on all our inset models facilitates installation where lintels may obstruct other stoves.
- Reduced clearances, with 100mm from the legs of existing surrounds as standard and 275mm from the mantel when using the optional deflector shield.
- Full multi-fuel capability as standard, so no kits or adaptors needed for burning smokeless fuels.

PureVision™ PV85 multi-fuel stove

The largest in the range, this stove offers our biggest fuel volume capacity and heat output for very large rooms and those who need a lot of heat.

- Huge glass window offers the best possible view of the High Definition fire picture.
- Adjustable feet, as fitted on all our freestanding models, facilitate installation on surfaces.
- All our freestanding models require only a 12mm superimposed hearth extending underneath and 230mm in front of the stove.
- Stainless steel single air control lever not only looks fantastic but is cool to the touch, discreetly positioned and very easy to use.
- Optional external air kit for direct connection to the outside, potentially eliminating the need for fixed exterior ventilators in the room.
- Future-proof performance meets the proposed 2022 European Eco-Design Directive.



PV85i Inset stove shown in Edgmond limestone suite



PV85i Inset stove shown set in wall

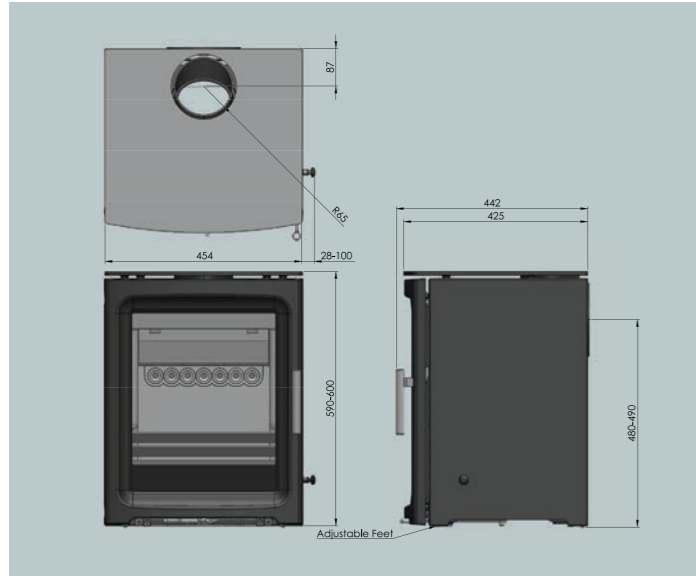


PureVision™ PV85i multi-fuel stove

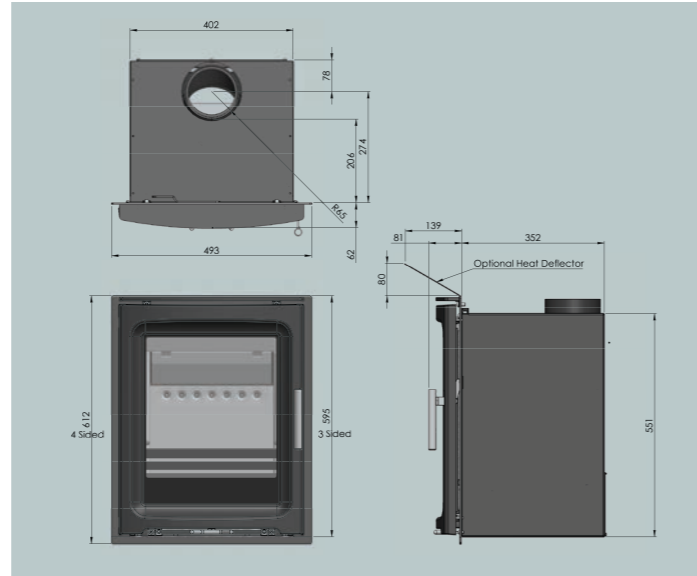
Along with the PV85, this is the largest stove in the range. It looks very attractive installed in a wall or in a fireplace suite.

- Super high quality cast ceramic firebox liners offer superior appearance and durability with self-cleaning characteristics.
- Optimal top flue connection on all our inset models facilitates installation where lintels may obstruct other stoves.
- Reduced clearances, with 50mm from the legs of existing surrounds as standard and 250mm from the mantel when using the optional deflector shield.
- Full multi-fuel capability as standard, so no kits or adaptors needed for burning smokeless fuels.

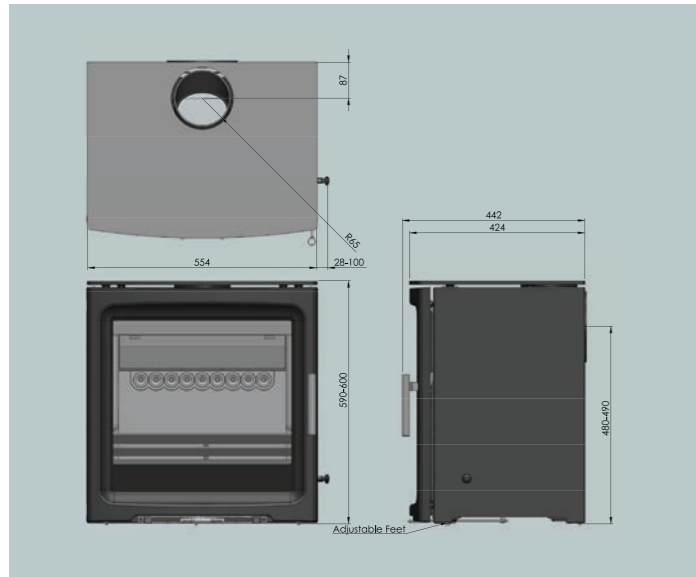
PureVision™ Dimensions & Specifications



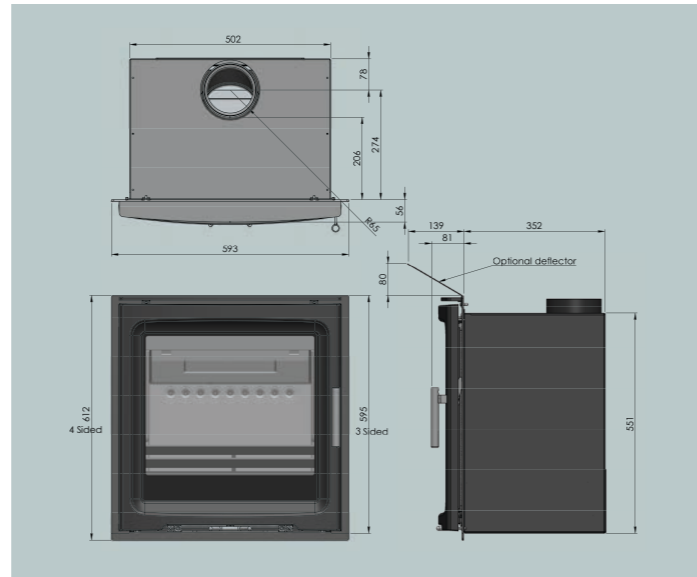
PV5



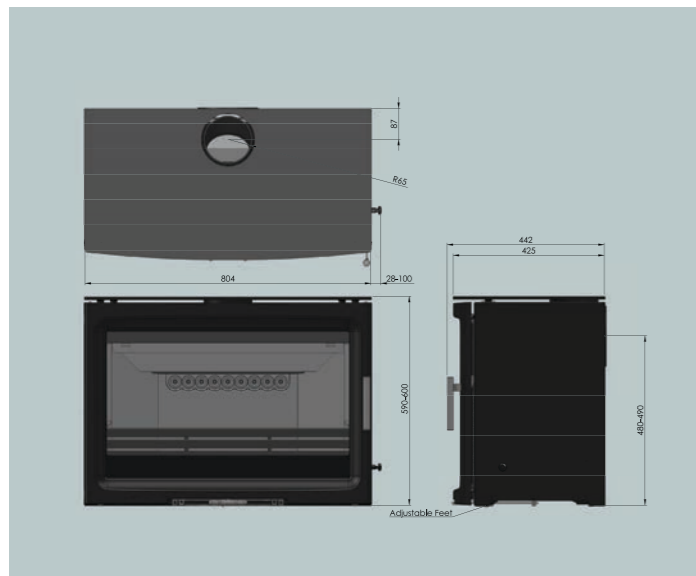
PV5i



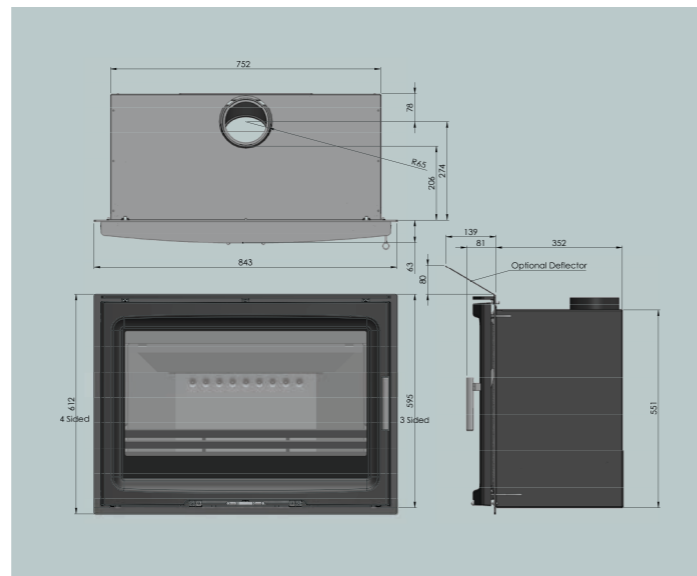
PV5W



PV5iW



PV85



PV85i

PUREVISION RANGE MULTI-FUEL STOVES

MODEL	PV5	PV5W	PV85	PV5i	PV5iW	PV85i
Fuel:	Solid fuel or wood	Solid fuel or wood	Solid fuel or wood	Solid fuel or wood	Solid fuel or wood	Solid fuel or wood
Flue:	Top & Rear	Top & Rear	Top & Rear	Top	Top	Top
Flue diameter:	127mm (5")	127mm (5")	127mm (5")	127mm (5")	127mm (5")	127mm (5")
Finish:	Graphite Grey	Graphite Grey	Graphite Grey	Graphite Grey	Graphite Grey	Graphite Grey
Appliance gross weight (kg):	105	120	153	91	109	146
Efficiency (%):	80.2/74.8**	82.2/80.0**	76.7/77.4**	80.2/74.8**	82.2/80.0**	76.7/77.4**
Declared nominal output (kW)	5	5	8.5	5	5	8.5
Approximate output range (kW):	3.1 - 6	3.8 - 8	4.9 - 10	3.1 - 6	3.8 - 8	4.9 - 10
Max log length:	300	400	400 - 650	300	400	400 - 650

Specifications

- Clean aesthetic design blends seamlessly with traditional or modern room and fireplace designs.
- Very large glass windows on all models for the best possible view of the High Definition flames.
- Patent-applied-for tertiary air-profiling system, which delivers the clean combustion and high efficiency required to meet or exceed the proposed 2022 European Eco-Design Directive.
- Automatic air distribution from a simple stainless steel single-lever control.
- Powerful airwash system creating a clean High Definition (HD) fire view.
- Self-latching door latches for ultimate ease of use, which are also self-adjusting as the door seals wear.
- Modern hard-wearing graphite grey metalwork.
- Optional flexible external air system for direct connection to outside, potentially eliminating the need for fixed exterior ventilators in the room.
- Superior high-quality cast ceramic firebox liners that offer great durability and are self-cleaning.
- Rotary riddling grate.
- Full-sized cast iron door.
- Identical door designs on the freestanding and inset models.
- Optional stands and log stores for the freestanding models.
- Top and rear flue connections for the freestanding models, for flexible siting and easy installation.
- Adjustable feet on the legs of freestanding stoves and on log stores.
- All freestanding models require only a 12mm superimposed hearth extending underneath and 230mm in front of the stove.
- DEFRA exemption for burning wood logs in smokeless zones.
- Full multi-fuel capability as standard.

** For multi-fuel stoves, figures are shown for both fuels: wood/solid.

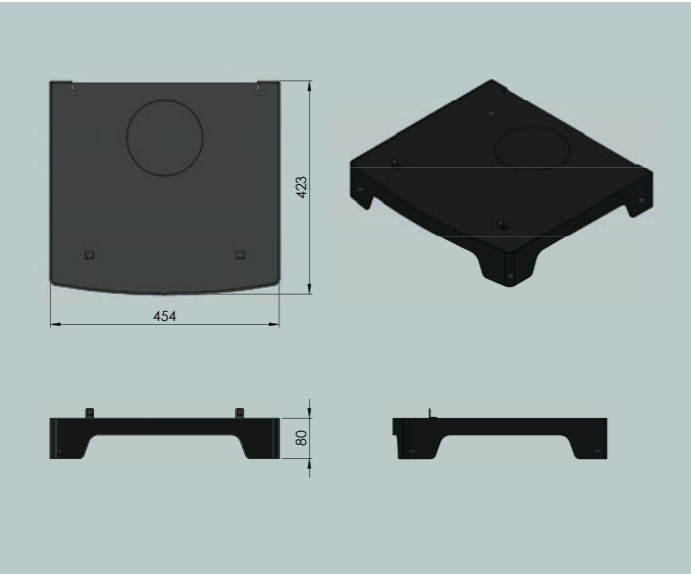


For expert advice and new product information, follow us on Twitter [@cJfires](https://twitter.com/cJfires)

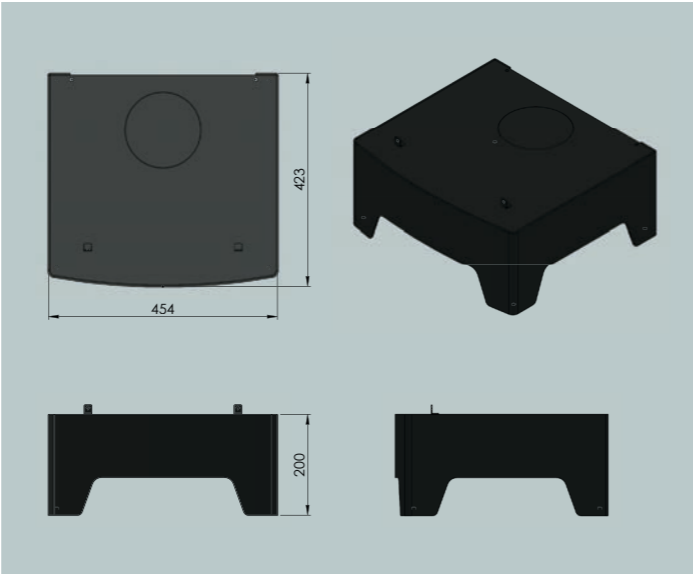
Please note: Our policy is one of constant development and improvement. Charlton & Jenrick therefore reserves the right to revise the specification and design of its stoves without formal notice. This leaflet is presented as a guide to aid in your decision and does not replace the need for technical assessment by your dealer. While the utmost care is taken in the preparation of this brochure, it is not intended to replace the installation manual which provides more detailed information. Photography is for illustration purposes only and does not replace the need to see the stove in a showroom. We accept no liability for any loss or damage arising either directly or indirectly from the use of this leaflet.

All designs in this brochure are design or copyright registered. Charlton & Jenrick, without exception, will take action against any infringements of its designs.

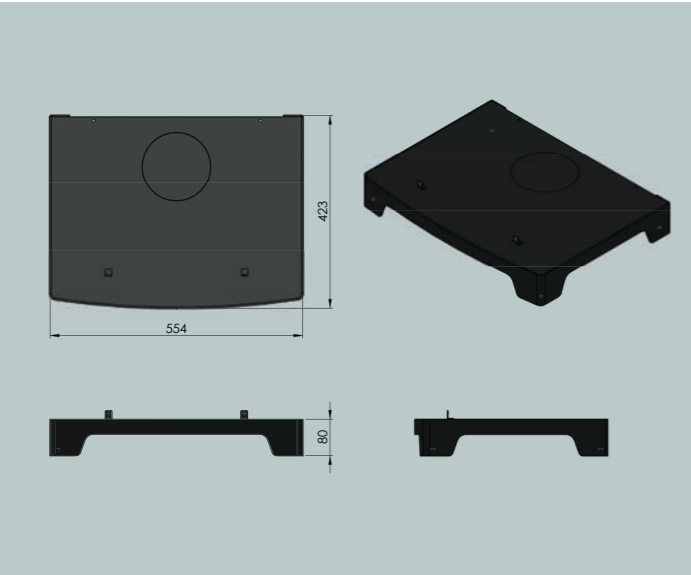
PureVision™ Stove Stand Dimensions



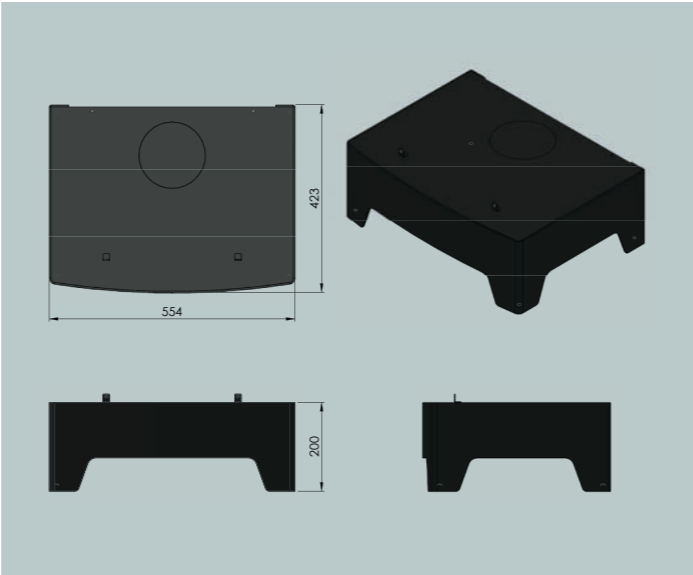
PV5 Short Stand



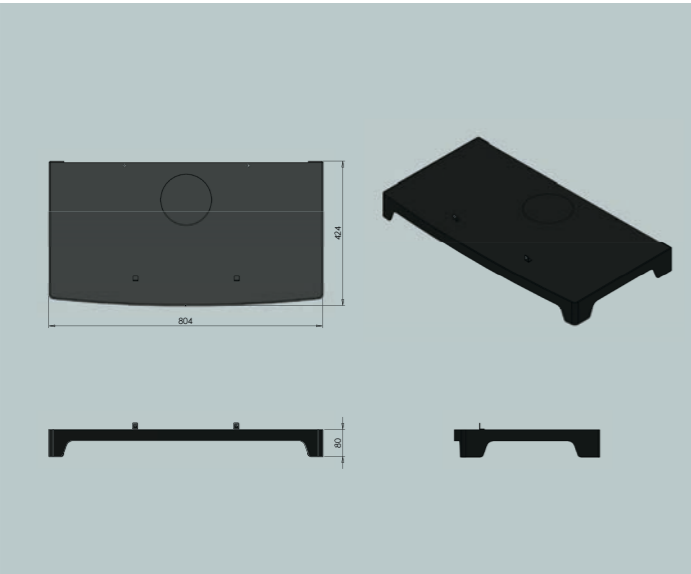
PV5 Tall Stand



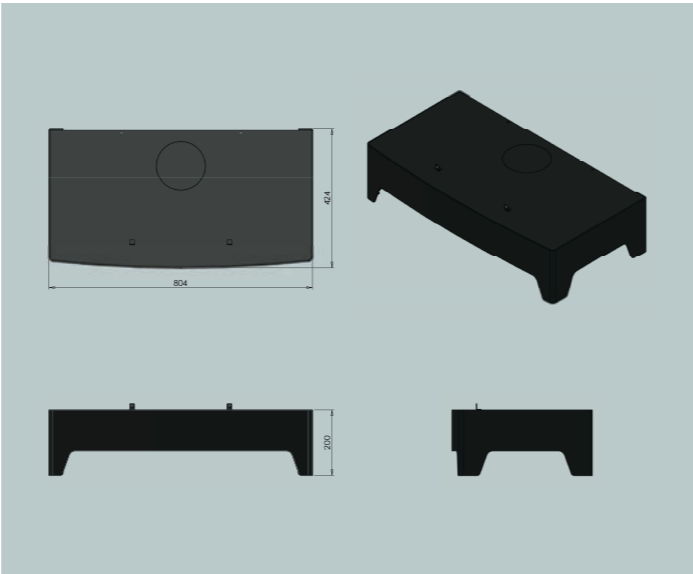
PV5W Short Stand



PV5W Tall Stand



PV85 Short Stand



PV85 Tall Stand



PV5 Short Stand

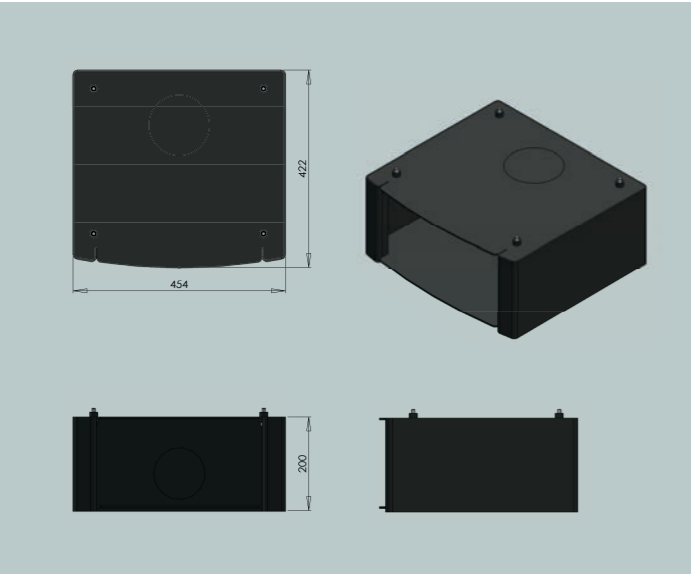


PV5W Tall Stand

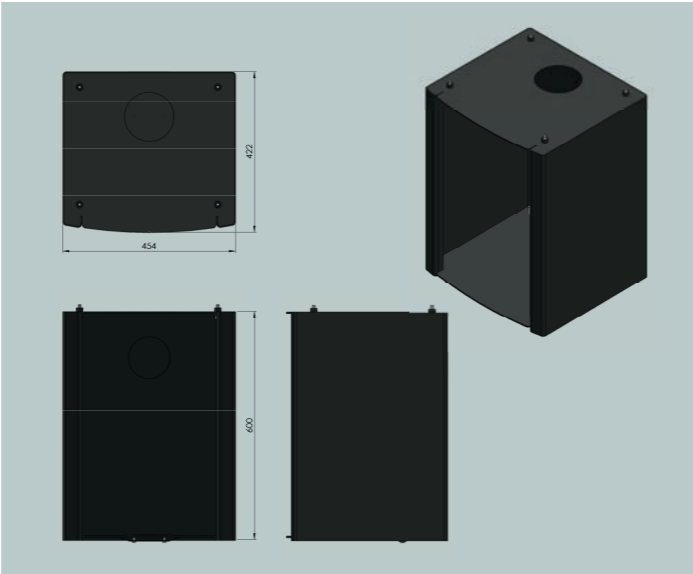


PV85 Tall Stand

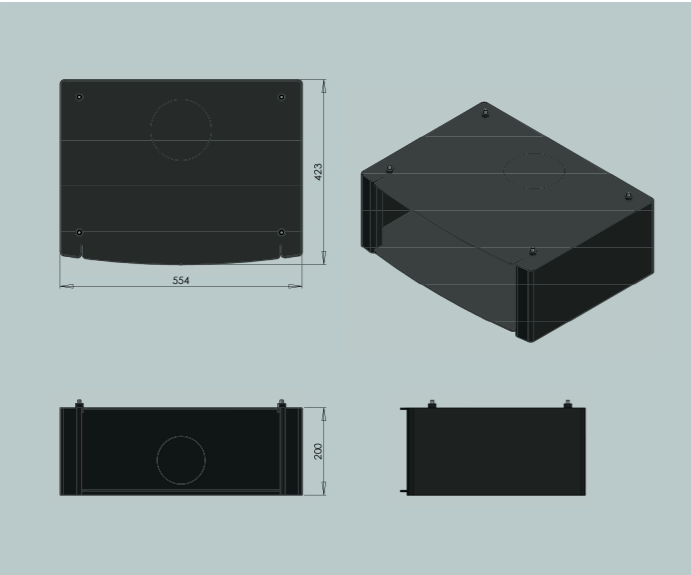
PureVision™ Log Store Dimensions



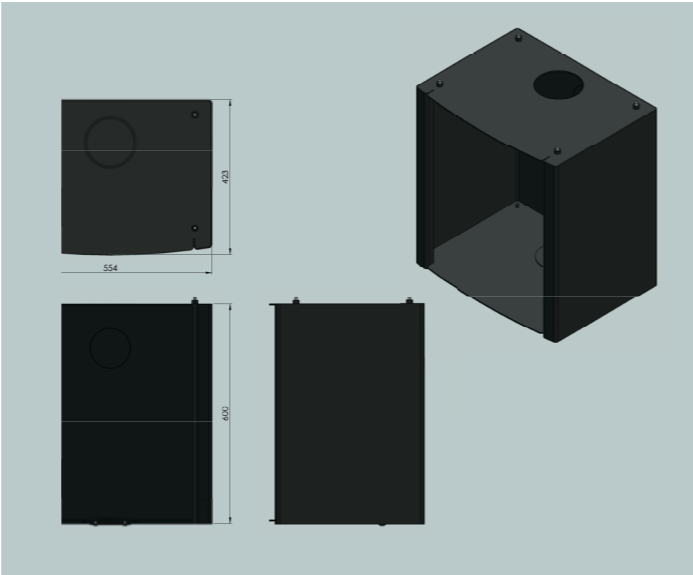
PV5 Log Store Short



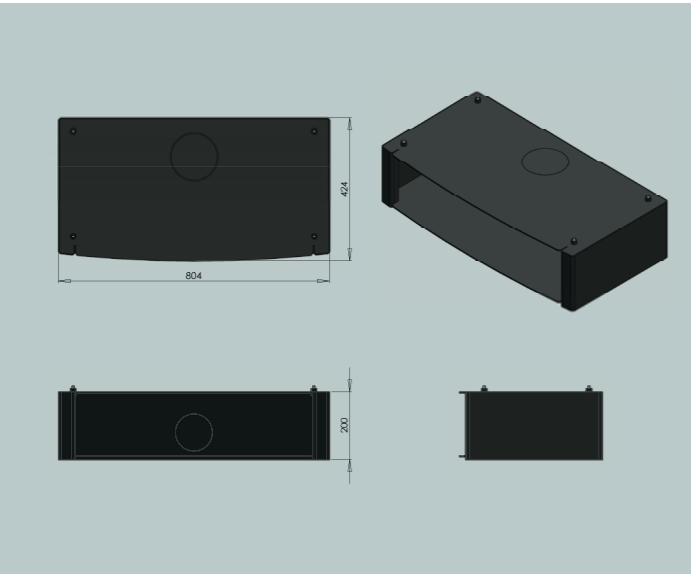
PV5 Log Store Tall



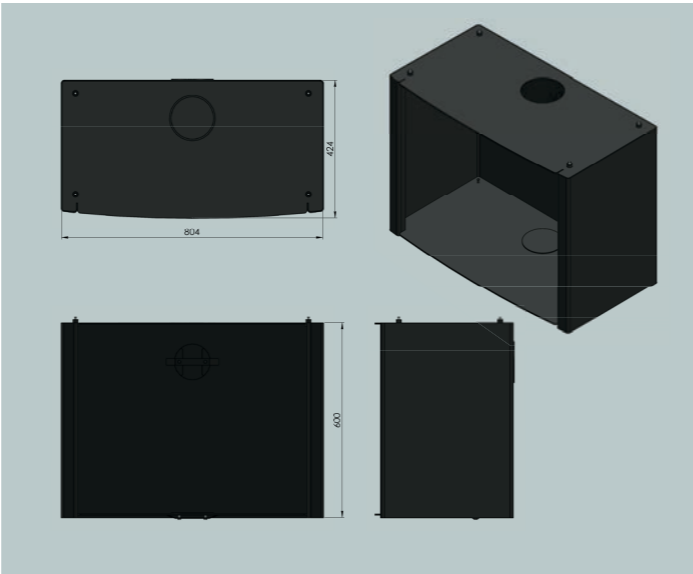
PV5W Log Store Short



PV5W Log Store Tall



PV85 Log Store Short



PV85 Log Store Tall



PV5 Log Store Short

PV5 Log Store Tall

PV5W Log Store Short

PV85 Log Store Short

PureVision™ Technical Performance Details

Charlton & Jenrick invests in a substantial programme of continuous research and development and the latest products to emerge are the high-performance, high-specification Purevision range of stoves incorporating new patented tertiary air-profiling technology.

Aiming squarely at the future of efficient and sustainable wood burning, Charlton & Jenrick Ltd is pleased to announce the introduction of the Fireline Purevision™ range. The team here at Fireline has developed no-compromise examples of the latest batch-fed stove combustion technology, meeting or exceeding the toughest emissions standards in Europe - among the highest in the world - while maintaining state-of-the-art efficiencies of up to 82.2%. This level of performance was long thought to be nearly impossible, but here it is in production ready for you to enjoy the benefits while protecting the environment. Long gone is the theory that you need a dedicated wood burner rather than a multi-fuel stove for best possible combustion of wood - Fireline has once and for all solved that

conundrum and transformed it into a myth.

Not satisfied with merely achieving technical excellence of combustion for environmental benefits, Fireline has incorporated a huge number of advanced features into all its products for ultimate ease of installation, operation and use in the home environment.

The range comprises both inset and freestanding models, a standard 5kW for efficient use of space, a substantial 5kW wide that cleverly maximises the fire view from a 5kW nominal output stove and a heavyweight 8.5kW for greater presence and flame picture impact. Externally, the substantial cast iron door has elegant lines and sophisticated curves to complement a vast range of interior design or fireplace choices. Exceptionally large glass panels maximise the view of spectacular yet low-emission wood combustion. For freestanding models, optional stands lift the profile of the convector body. Log store stands are available, delivering pedestal ease-of-use and ensuring maximum flexibility and adaptability for a broad

spectrum of applications. Inset models retain all the aesthetic qualities of their freestanding counterparts, including large ceramic glass door panels and heavy-gauge top plates, and so avoid the compromises commonly associated with inset stoves. Every model uses patented tertiary air-profiling technology, cast with exquisite detail into the fine-quality high-durability ceramic firebox liners, and has an ultra-tough cast iron grate with rotary riddling. All stoves in the Purevision range have 5" flue connectors and connection options are maximised by providing top and rear outlets on freestanding models and large lintel clearance on inset models. A dedicated external air system (DEAS) fits all models, enabling the use of a direct flexible connection to outside air and effectively eliminating the need for air brick ventilators to comply with UK Building Regulations. Charlton & Jenrick is a member of the HETAS Technical Committee and the Purevision™ stove range was among the first in the UK to have its DEAS

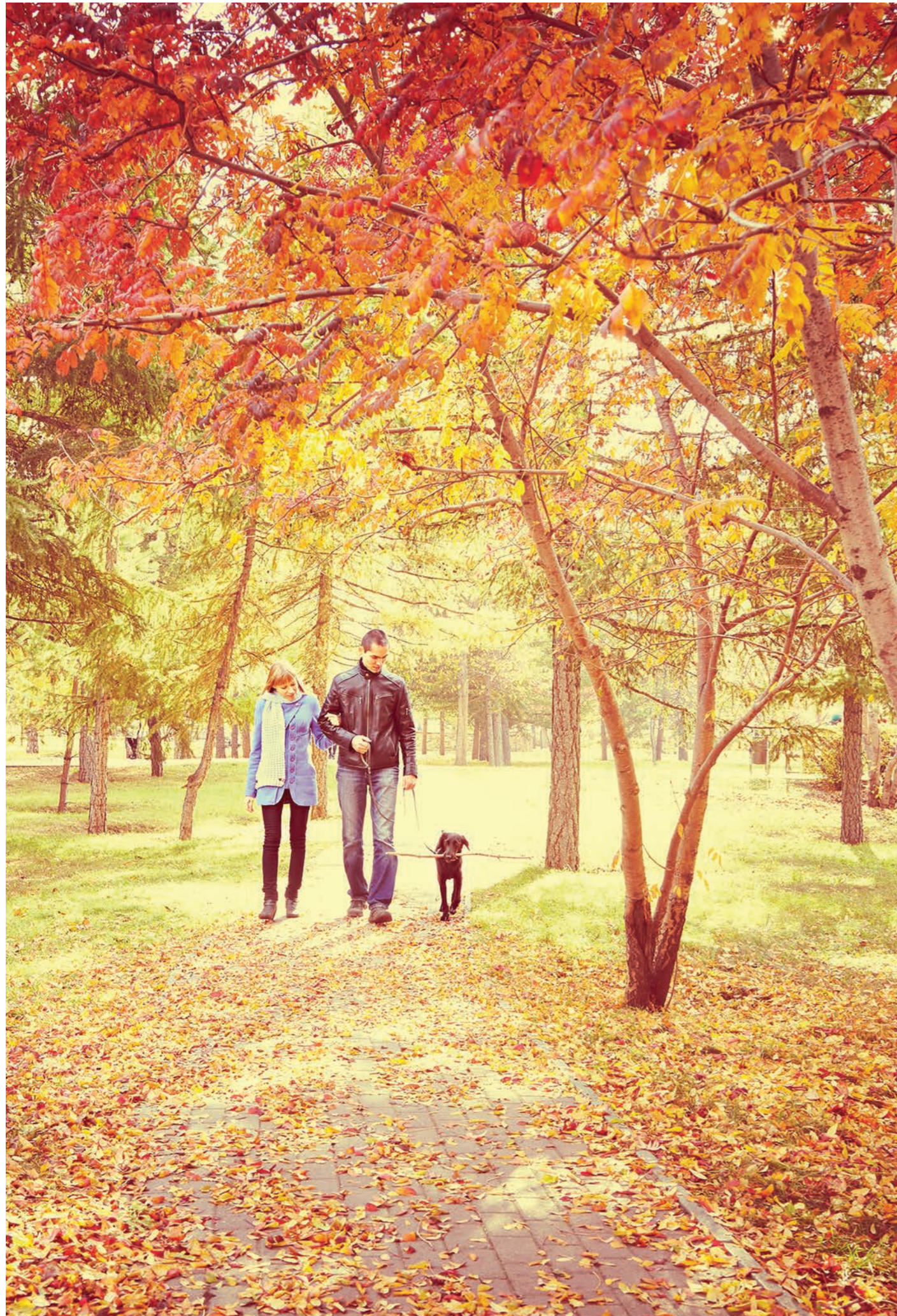
tested for effectiveness as part of a HETAS research programme. Automatic door latches make the door a pleasure to operate with its broad handle made from brushed stainless steel. The single laser-etched air-control lever simplifies regulation of the fire with automatic air distribution for optimum burn.

Inside, most components are easily removable for cleaning and servicing without any tools. Stainless steel fixings and clips are used throughout for longevity.

A heavy-duty brushed stainless steel operating tool and stand, neat branded tool roll and high-quality leather stove gloves add superb details to the package, leaving nothing to chance.

PUREVISION  N



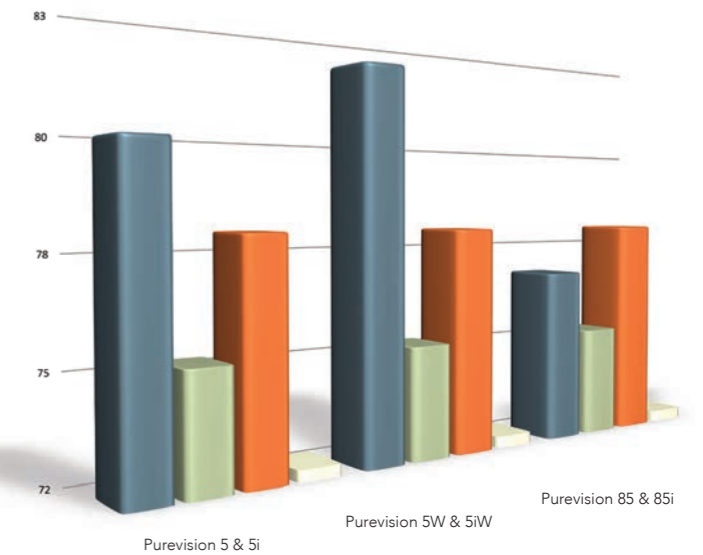


PureVision™ Wood-burning Technical Data

Total efficiency

Total efficiency is measured using well established methods from harmonised EU standards EN 13240 and EN 13229. It is an indicator of the ability of a stove to turn fuel into heat for you. Although sometimes misrepresented, it is not in fact a measure of clean burning at all – always look at emissions data for that information. Many clean-burning stoves have a low total efficiency and many efficient stoves have high emissions.

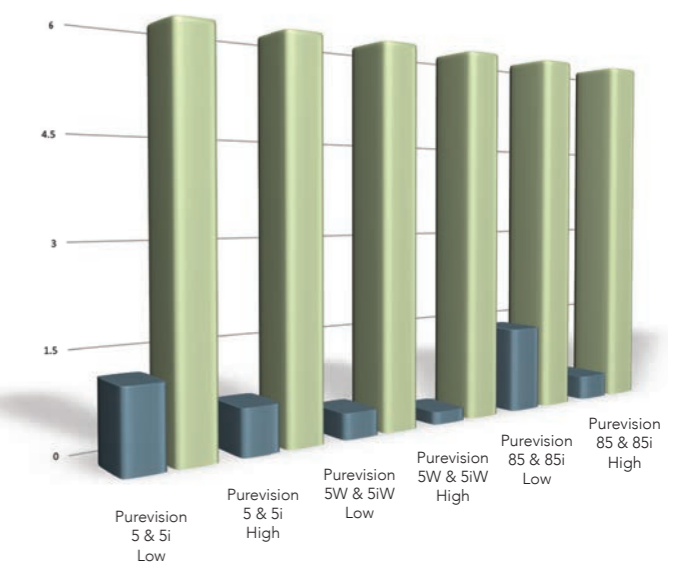
	Purevision 5 & 5i	Purevision 5W & 5iW	Purevision 85 & 85i
Purevision Efficiency (%)	80.2	82.2	76.7
Nordic Eco Label Eff'cy Limit (%)	75	75	75
DIN+ Efficiency Limit (%)	78	78	78
Proposed EU Eff'cy Limit 2022 (%)	72.3	72.3	72.3



DEFRA Optical Density

This graph demonstrates the excellent clean-burning characteristics of the Fireline PureVision™ stove range during strictly controlled testing for DEFRA smokeless zone exemption for burning wood logs. Average optical density readings beat limits by up to 97% and average electrostatic precipitator particulate emissions exceed requirements by up to 75%.

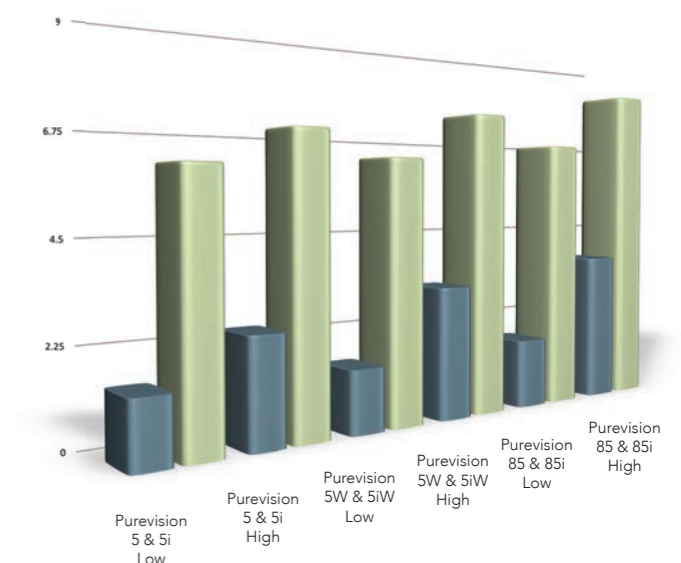
	Purevision 5 & 5i Low	Purevision 5 & 5i High	Purevision 5W & 5iW Low	Purevision 5W & 5iW High	Purevision 85 & 85i Low	Purevision 85 & 85i High
Optical Density (mins >0.2)	1.2	0.7	0.4	0.2	1.4	0.4
Optical Density limit (mins >0.2)	6	6	6	6	6	6



DEFRA PD6434 Particulate Emissions

This graph also demonstrates the excellent clean-burning characteristics of the Fireline PureVision™ stove range during strictly controlled testing for DEFRA smokeless zone exemption for burning wood logs. Average optical density readings beat limits by up to 97% and average electrostatic precipitator particulate emissions exceed requirements by up to 75%.

	Purevision 5 & 5i Low	Purevision 5 & 5i High	Purevision 5W & 5iW Low	Purevision 5W & 5iW High	Purevision 85 & 85i Low	Purevision 85 & 85i High
Purevision PD6434 Particulates (g/h)	1.5	2.5	1.5	3.2	1.7	3.7
PD6434 Particulates Limit (g/h)	6.1	6.9	6.3	7.4	6.7	8.1

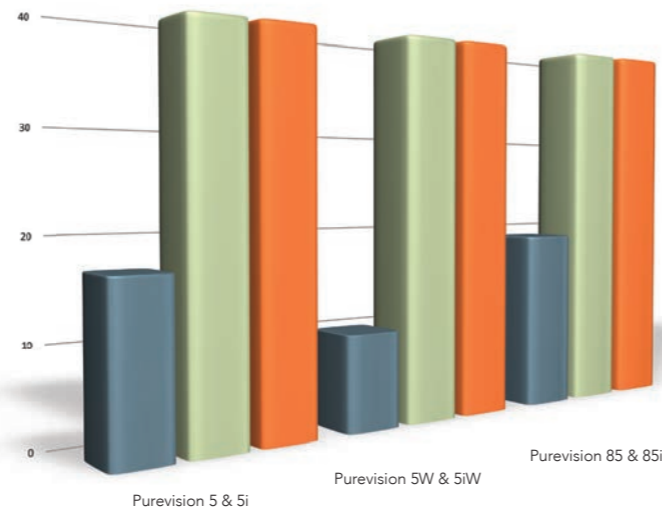


PureVision™ Wood-burning Technical Data

DIN+ Particulate Emissions

DIN+ particulate measurements are a comparative assessment of clean burning used extensively in Europe. Emissions from the Purevision™ range are up to 75% lower than the strictest EU requirements, including the proposed 2022 Eco-Design Directive.

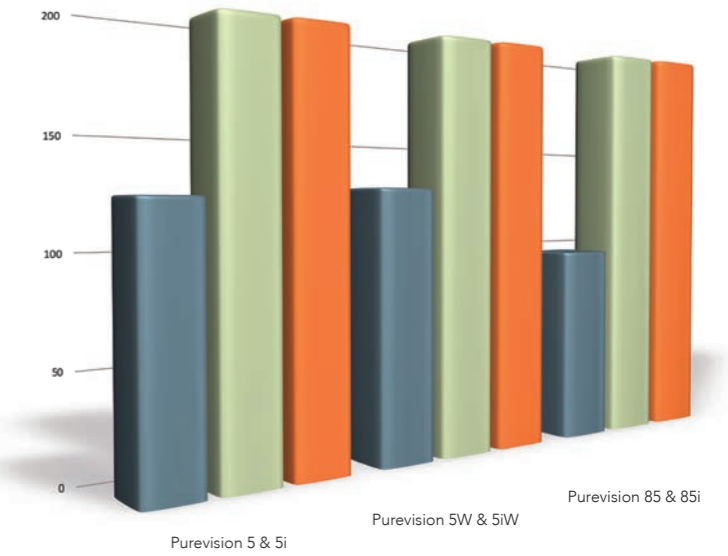
	Purevision 5 & 5i	Purevision 5W & 5iW	Purevision 85 & 85i
Purevision DIN+ Particulates (Nmg/m ³)	17	10	19
DIN+ Particulate Limit (Nmg/m ³)	40	40	40
Proposed EU Particulate Limit 2022 (Nmg/m ³)	40	40	40



NOx Emissions

Emissions of nitric oxide and nitrogen dioxide (known collectively as NOx) are monitored as part of worldwide air quality standards and can be tested using DIN+ methods. Fireline Purevision™ stoves NOx emissions far exceed the strictest EU requirements and the proposed 2022 Eco-Design Directive.

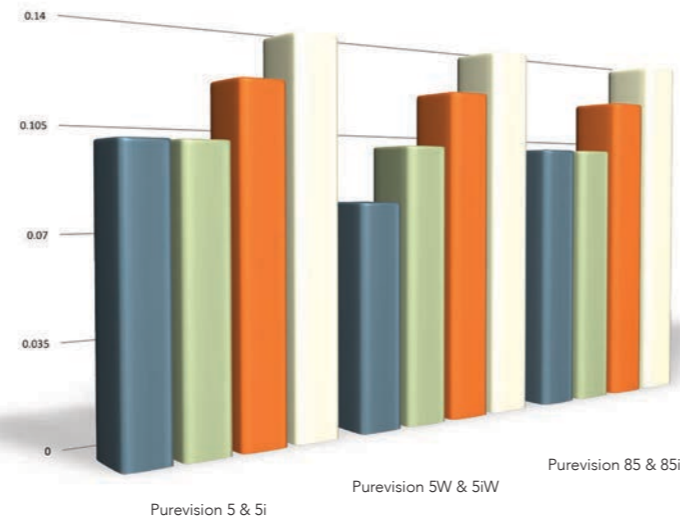
	Purevision 5 & 5i	Purevision 5W & 5iW	Purevision 85 & 85i
Purevision DIN+ NOx (Nmg/m ³)	124	128	96
DIN+ NOx Limit (Nmg/m ³)	200	200	200
Proposed NOx Limit 2022 (Nmg/m ³)	200	200	200



CO Emissions

CO emissions are being reduced and current EN 13240/13229 limits of 1% are being updated. Charlton & Jenrick aims for 0.1% or less when burning wood. The Purevision™ range already meets or exceeds the strictest EU requirements, including the proposed 2022 Eco-Design Directive.

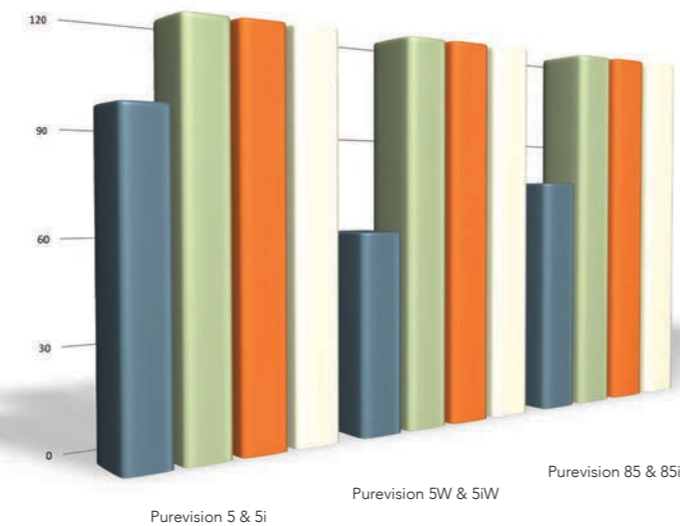
	Purevision 5 & 5i	Purevision 5W & 5iW	Purevision 85 & 85i
Purevision CO (%)	0.1	0.08	0.1
DIN+ CO Limit (%)	0.1	0.1	0.1
Proposed EU CO Limit 2022 (%)	0.12	0.12	0.12
Nordic Eco Label CO (%)	0.136	0.136	0.136



Organic Gaseous Carbon Emissions

Organic Gaseous Carbon forms part of emissions testing and is measured according to well established methods such as DIN+. The Purevision™ range already meets or exceeds the strictest EU requirements, including the proposed 2022 Eco-Design Directive.

	Purevision 5 & 5i	Purevision 5W & 5iW	Purevision 85 & 85i
Purevision OGC (Nmg/m ³)	96	61	76
DIN+ OGC Limit (Nmg/m ³)	120	120	120
Nordic Eco Label OGC Limit (Nmg/m ³)	120	120	120
Proposed OGC Limit 2022 (Nmg/m ³)	120	120	120

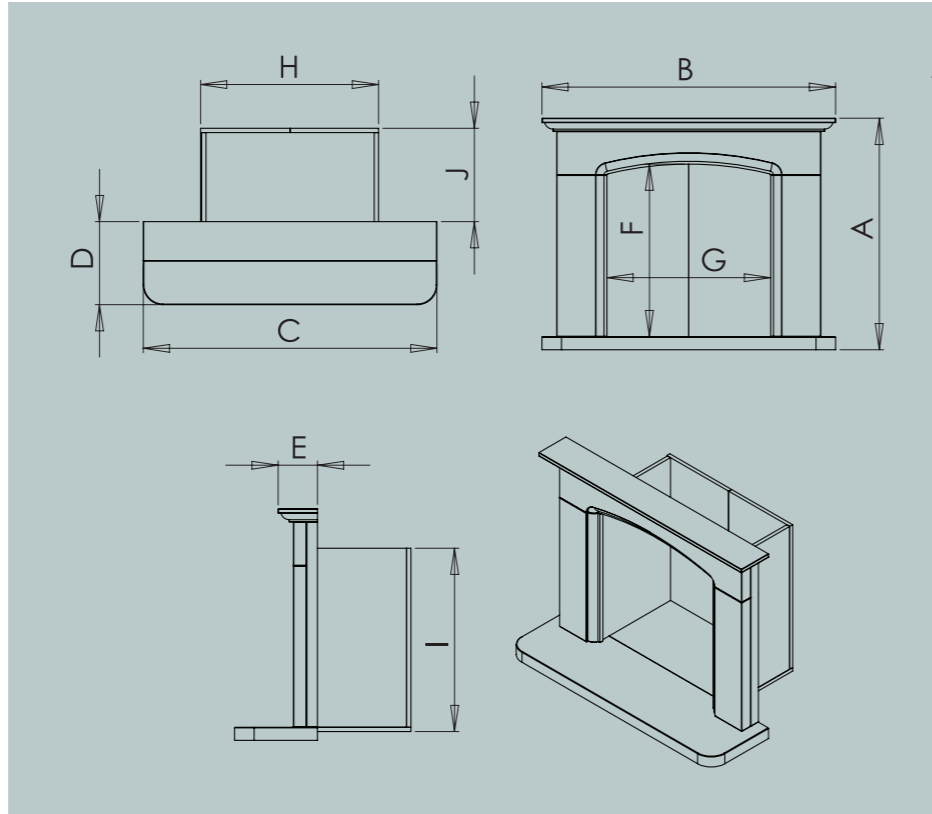


Stove Packages

Throughout this brochure you will see wonderful examples of stoves in packages with fireplaces. Below are details of the stove packages that are shown in this brochure. More are available: please speak to your authorised Fireline dealer for details.

To find your nearest Fireline showroom, use the store locator on our website:

www.charltonandjenrick.co.uk/brands/fireline/store-locator/



STOVE PACKAGES

Dimensions in mm	Shown on page	A	B	C	D	E	F	G	H	I	J
Wave PV5 Free-standing Stove Package	7	1113	1272	1372	400	200	843	872	860	870	428
Stokesay PV5i Inset Stove Package	9	1070	1375	1375	410	245	760	800	n/a	n/a	n/a
Rembrandt PV5W Free-standing Stove Package	10	1190	1350	1370	380	126	908	910	950	935	398
Aylesbury PV5iW Inset Stove Package	12	1160	1370	1370	410	220	837	810	n/a	n/a	n/a
Wave PV5iW Inset Stove Package	12	1113	1272	1372	400	200	843	872	n/a	n/a	n/a
Edgmond PV85i Inset Stove Package	16	980	1500	1570	380	160	620	825	n/a	n/a	n/a



Wave PV5 Package



Stokesay PV5i Package



Rembrandt PV5W Package



Aylesbury PV5iW Package



Wave PV5iW Package



Edgmond PV85i Package





Designed and produced by The Design Frontier | thedesigntfrontier.com

Head Office, Unit D, Stafford Park 2, Telford, Shropshire TF3 3AR
t: 0845 519 5991 f: 0845 519 5992 w: www.fireline.co.uk

A division of Charlton & Jenrick Ltd

www.charltonandjenrick.co.uk

 @cJfires  www.facebook.com/cJfires