



ESSE

Master stove makers since 1854



IRONHEART

A cookstove that's equally at home in the kitchen or hearth



A stove that cooks to perfection

Is it a stove or a cooker

The cooking stove makes the most of the two things ESSE does best. Combining a superb multi-fuel stove and a traditional range cooker. And therein lies its charm and appeal... it is a stove that cooks.

A firebox like no other stove

The firebox has been specifically designed to burn 500mm logs, length ways, which it does in spectacular fashion. As the heat source for the oven and hotplates it has to be highly controllable, which it is, thanks to simple but effective primary and secondary air flow controls, the secondary 'airwash' control also keeps the door glass clear. The large capacity and efficient burn mean it will run for long periods between refuelling, so your hands remain clean whilst cooking and it will have no trouble remaining alight overnight*. For dedicated wood burning an optional steel 'wood' box is available that improves performance and efficiency.



And because it replaces the standard grate it also noticeably increases the fuel capacity giving you longer periods between refuelling.

Keeping your kitchen warm & clean

Because of the cleanliness required for cooking we have designed the cooking stove to burn logs, which require minimal riddling and infrequent ash removal. The full depth ashpan sits safely behind a sturdy hinged door and is easily removed using a specially designed lifting tool. There is also a handy cavity beneath the stove that is heat shielded from the firebox. As a stove it is a powerful space heater capable of radiating over 9kW.

Enjoy the authentic original range cooking experience



All ESSE range cookers are renowned for their superb cooking qualities and the Ironheart is no different. The single large oven works in the same gentle and indirect way that will not dry the food, and will seal in natural juices and flavour ensuring maximum taste. Pizzas for example will be piping hot and evenly cooked from edge to centre, yet toppings will remain moist, while the base is baked to perfection. Oven temperatures are surprisingly easy to regulate using a simple push/pull action control.

Dimensions in mm	W	H	D
Oven size	320	340	440

The ESSE trademark 'dog-bone' cast iron hotplate is generously proportioned and pans can be moved with an easy slide action to the required heat zone - boil, slow boil or simmer. Heat is retained in the hotplate thanks to ESSE's unique hotplate covers that lift effortlessly on superbly engineered 'easy clean' hinges.

And hot water heating too

In addition to cooking and radiant heating the Ironheart can also heat your domestic hot water. The boiler model is capable of running a single radiator as well as providing domestic hot water.

Conventional it is not.

Appealing and versatile... we think so.

* Overnight burning is best suited to approved smokeless solid fuels.

The authentic original - famous since 1854

The award winning Ironheart is inspired by modern European influences for log burning cookers, yet paradoxically it revives some of the design principles behind the very first ESSE cooking stove that dates back to 1854, making this the perfect ESSE product to mark our 150th anniversary year.

Longevity is the true testimony to excellent design and in an ESSE you have a cooker that has stood the test of time longer than any other range. But we have not done so by resting on our laurels, we are constantly striving to improve our cookers.

In this era of mass production and 'fashion led design' there are fewer and fewer opportunities to find a truly enduring appliance with the individuality, performance and pedigree of an ESSE.

It's interesting to know that Florence Nightingale was passionate about ESSE cookers and would use no other brand. As were famous British explorers Shackleton and Scott, whose lives often depended upon the reliable performance of their equipment during expeditions to some of the world's most inhospitable places. And true to their 'lifetime' robustness, many early coal-fired ESSEs - often handed down through generations - are still in daily use.

Today ESSE is the cooker of choice for many seeking a wood fired alternative and is the preferred brand at River Cottage, whose head chef also cooks on an ESSE at home.

You just can't put a value on that kind of pedigree...but you can buy an ESSE.



Florence Nightingale's letter of appreciation she wrote to ESSE that is now preserved in our museum



Gill Mellor baking on the River Cottage Ironheart

Customise your ironheart

Add extra cooking functionality, practicality and style...

Warming cupboard

Optional storage space is now just an arms reach away and can be used for warming plates or keeping food warm.

Pan drawer

A versatile storage area for bulky pans and cooking implements. The sturdy drawer handle matches the towel rail.

Bolster lids

Choose from either a brush steel matt finish or polished stainless steel bolster lids.

Cooker top

The cooker top is available in 2 finishes, anthracite stove paint or gloss black enamel.

Splash back

This stylish brushed stainless steel splash back adds a contemporary look and fits perfectly.

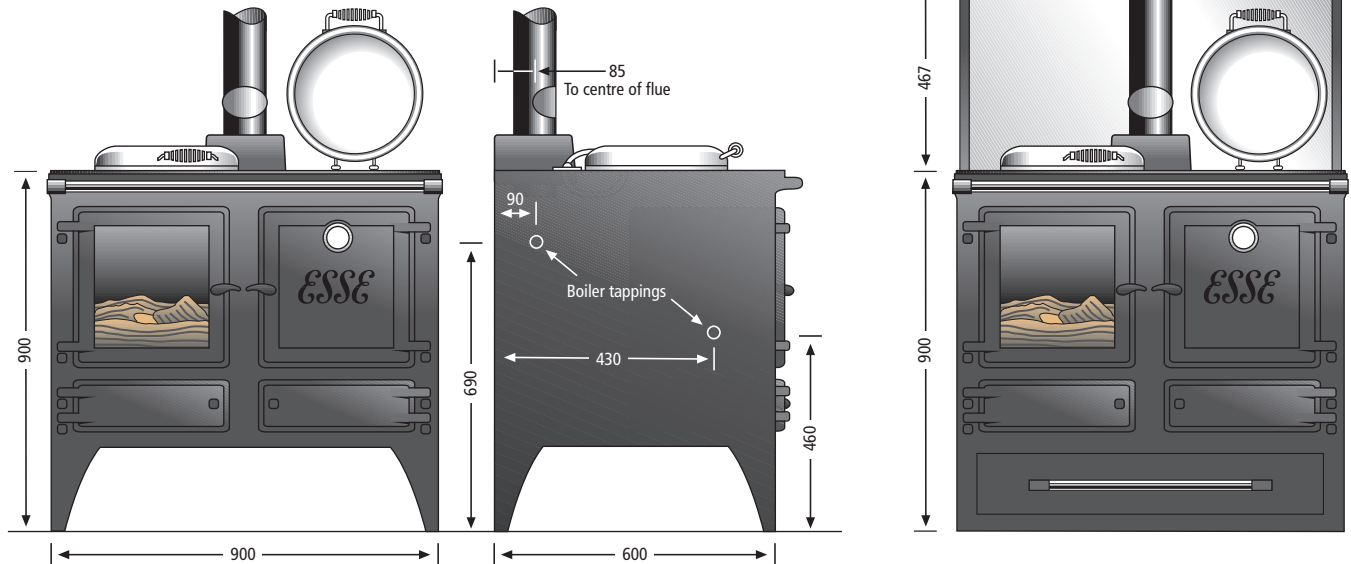
Colour options

Choice of 2 heat resistant stove paint finishes Anthracite or Stove Black.



Dimensions & clearances

Clearances (mm)	EW	EWB
Non combustible material from side	7	7
Non combustible material from back	7	7
Combustible material from side	300	200
Combustible material from back	500	400
From bolster lid	416	416



Colours



Black



Anthracite

Ironheart *Deluxe*

The Ironheart Cookstove Deluxe comes with gloss enamelled top casting and shiny stainless steel bolster lid covers.

Specifications

Model	EW	CE	EWB	CE
Oven capacity	47.8ltr		47.8ltr	
Hotplate	up to 6 pans		up to 6 pans	
Flue pipe diameter	6" (150mm)		6" (150mm)	
Overnight burning (suitable for continuous burning)	✓		✓	
Pre-heater secondary airwash	✓		✓	
Afterburn2™ technology	✓		✓	
Operating range (depending on fuel type and settings)	Up to 9.7kW		Up to 2.6kW to water 8kW to space	
Log burning firebox grate (not suitable for coal)	Optional		Optional	
Max efficiency % EN 12850 (wood) with log burning grate	81.8		74.2	
CO emissions correct to 13% O ₂	0.27		0.23	
Additional room vents required	2.25" Dia		2.5" Dia	

Oven Dimensions – Oven width 320, height 340, depth 440
 Clearances – Non-combustible materials from side and back 20mm; Combustible material from side
 EW 300mm EWB 200mm; Combustible material from back EW 500mm EWB 400mm; From bolster lid 416mm

Chimney & Flue

The successful operation of this appliance relies on the adequate performance of the chimney and/or flue to which it is connected. Thorough cleaning prior to connection and regular maintenance of the flue is essential. Older flues may need an insulated liner for best operation.

Fuel & woodburning

The Ironheart has a multi-fuel firebox that will burn solid fuel or wood very well. For improved woodburning performance and efficiency we recommend the optional woodburning box. For best results use properly seasoned, quality firewood. Find out more at www.esse.com.

ESSE

ESSE Engineering Limited, Long Ing, Barnoldswick, Lancashire BB18 6BN
 Tel: 01282 813235 Fax: 01282 816876 Email: enquiries@esse.com
esse.com

